

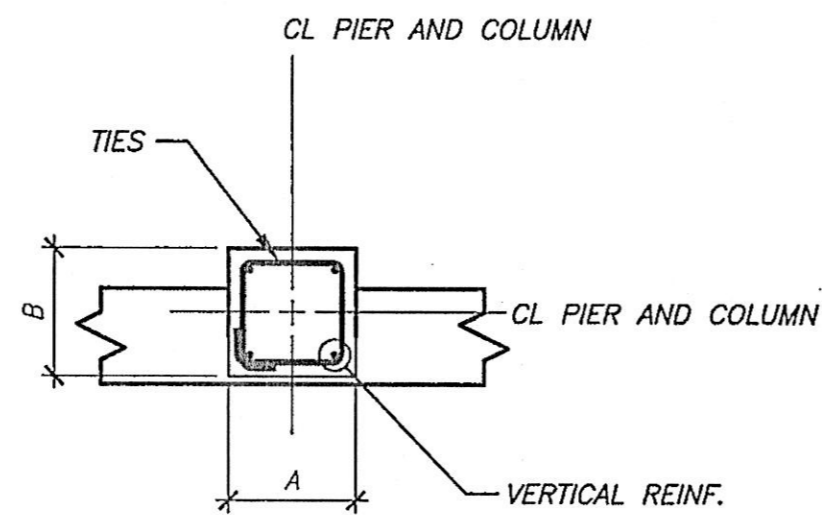
CONCRETE PIER SCHEDULE

PIER MARK	TYPE	SIZE A x B	REINFORCEMENT		REMARKS
			VERTICAL	TIES	
P1	1	16"x16"	4-#8	#4 @ 12"	
P2	2	16"x16"	4-#8	#4 @ 12"	
P3	3	18"x18"	4-#8	#4 @ 12"	
P4	4	12"x26"	6-#8	#4 @ 12"	

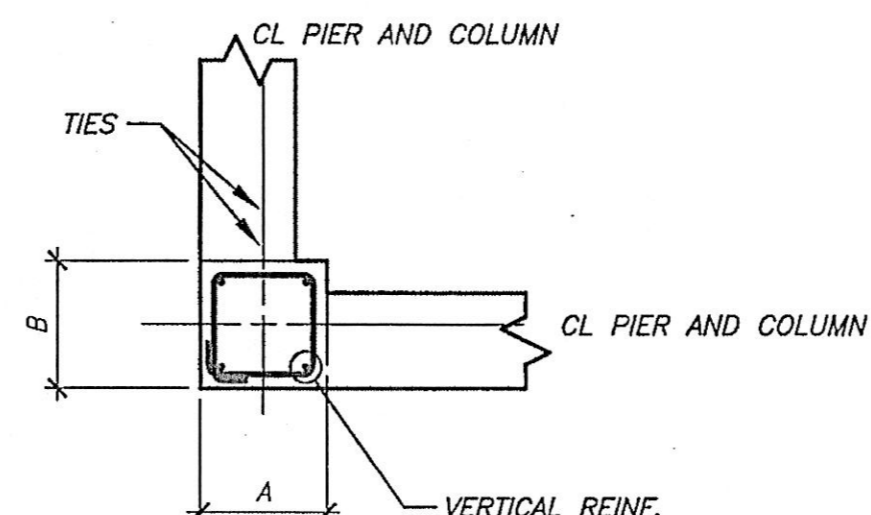
NOTES:

- SEE FOUNDATION PLANS AND DETAILS FOR TOP OF PIER ELEVATIONS.
- SEE FOUNDATION WALL SECTIONS FOR WALL REINFORCEMENT.
- DASHED LINE ON PIER DETAILS INDICATES LIMITS OF DEPRESSED AREA FOR COLUMN BASE. FILL ALL POCKETS WITH CONCRETE AFTER THE STEEL FRAME IS ERECTED AND PLUMB.

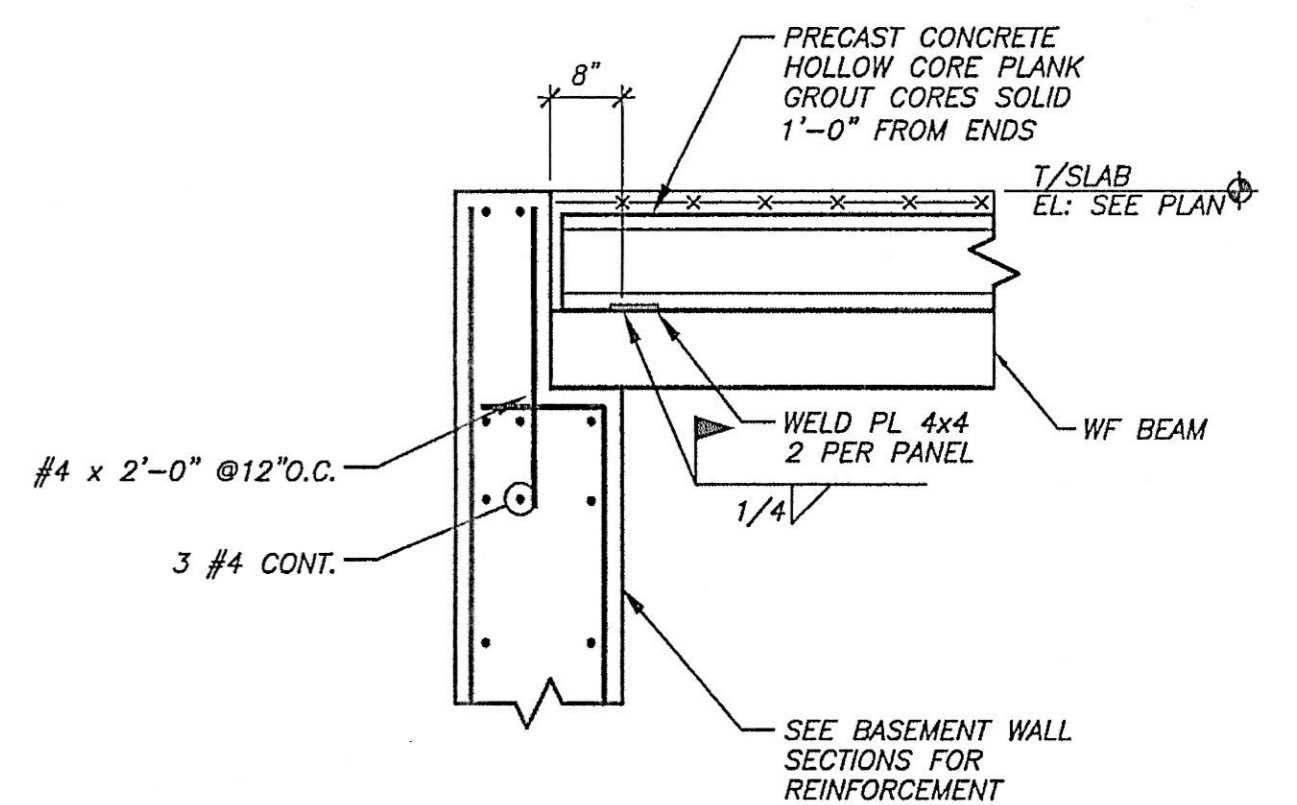
1 CONCRETE PIER SCHEDULE
S2.2



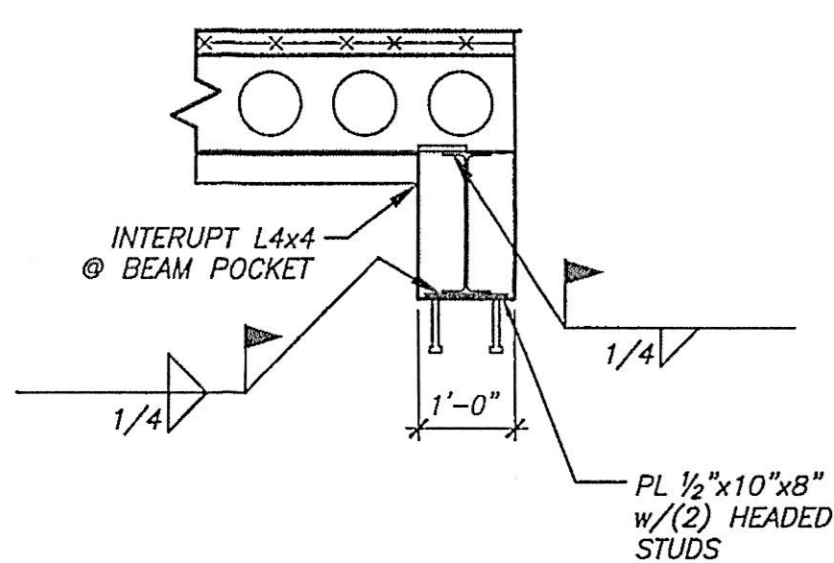
2 PIER TYPE 1
S2.2



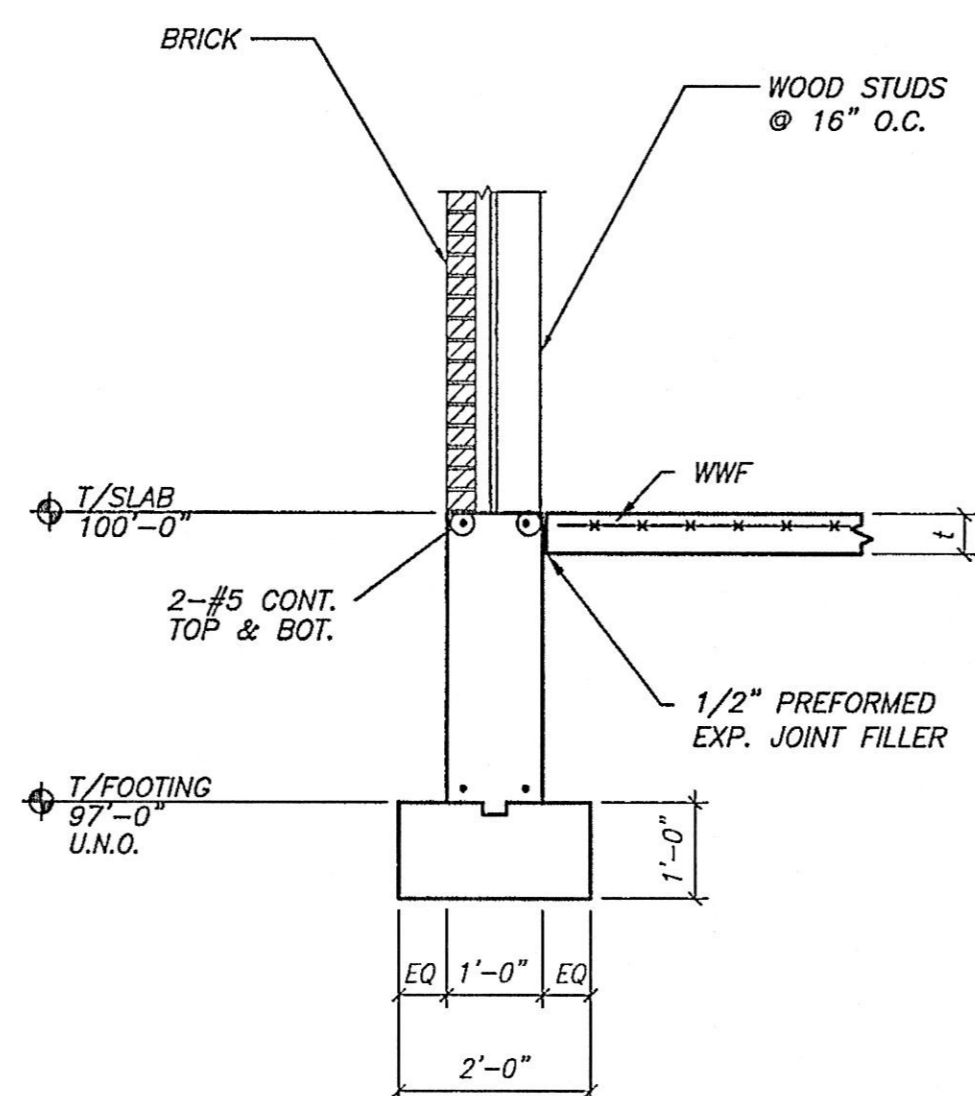
3 PIER TYPE 2
S2.2



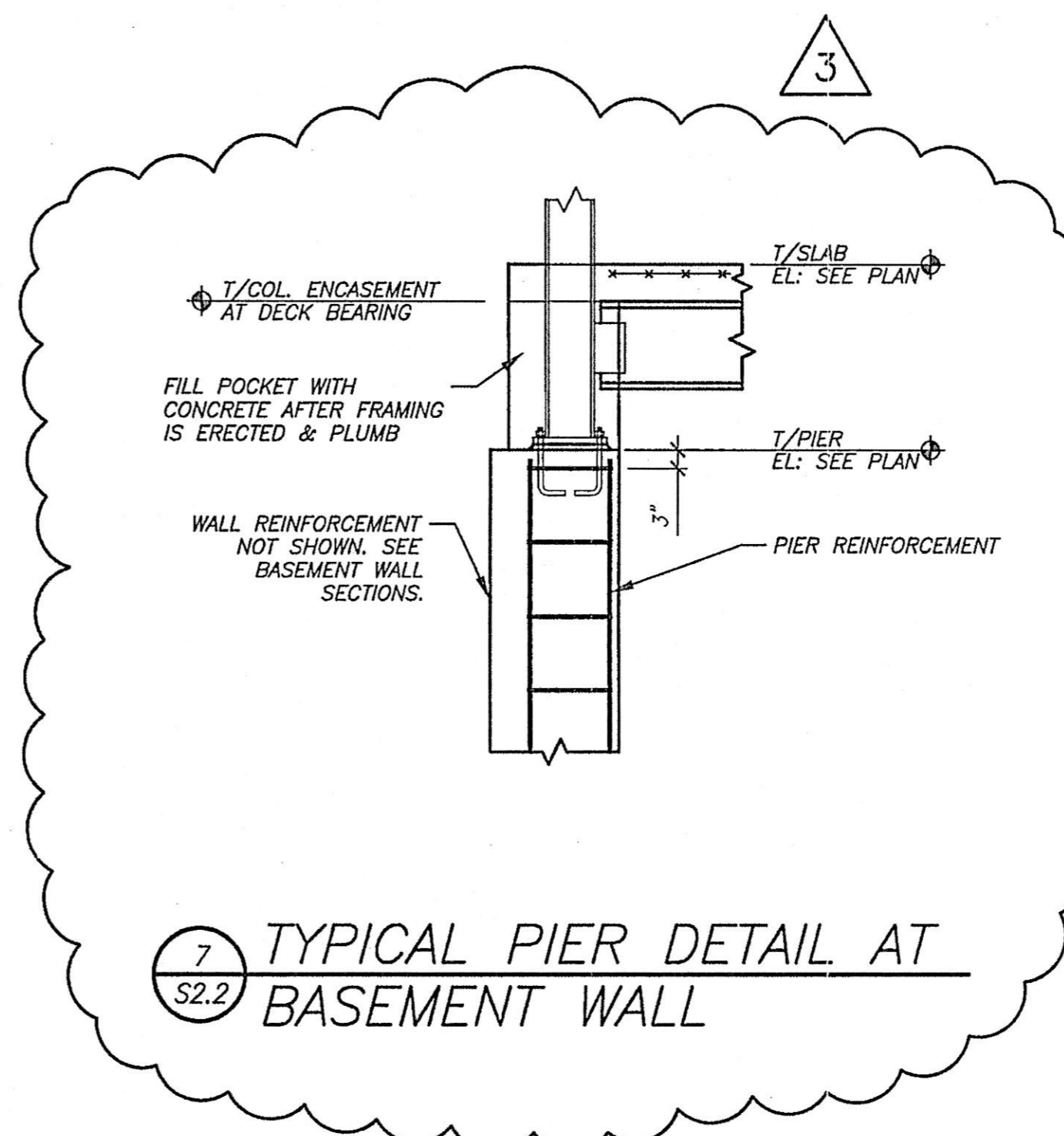
4 PLANK OVER BEAM BEARING AT WALL
S2.2



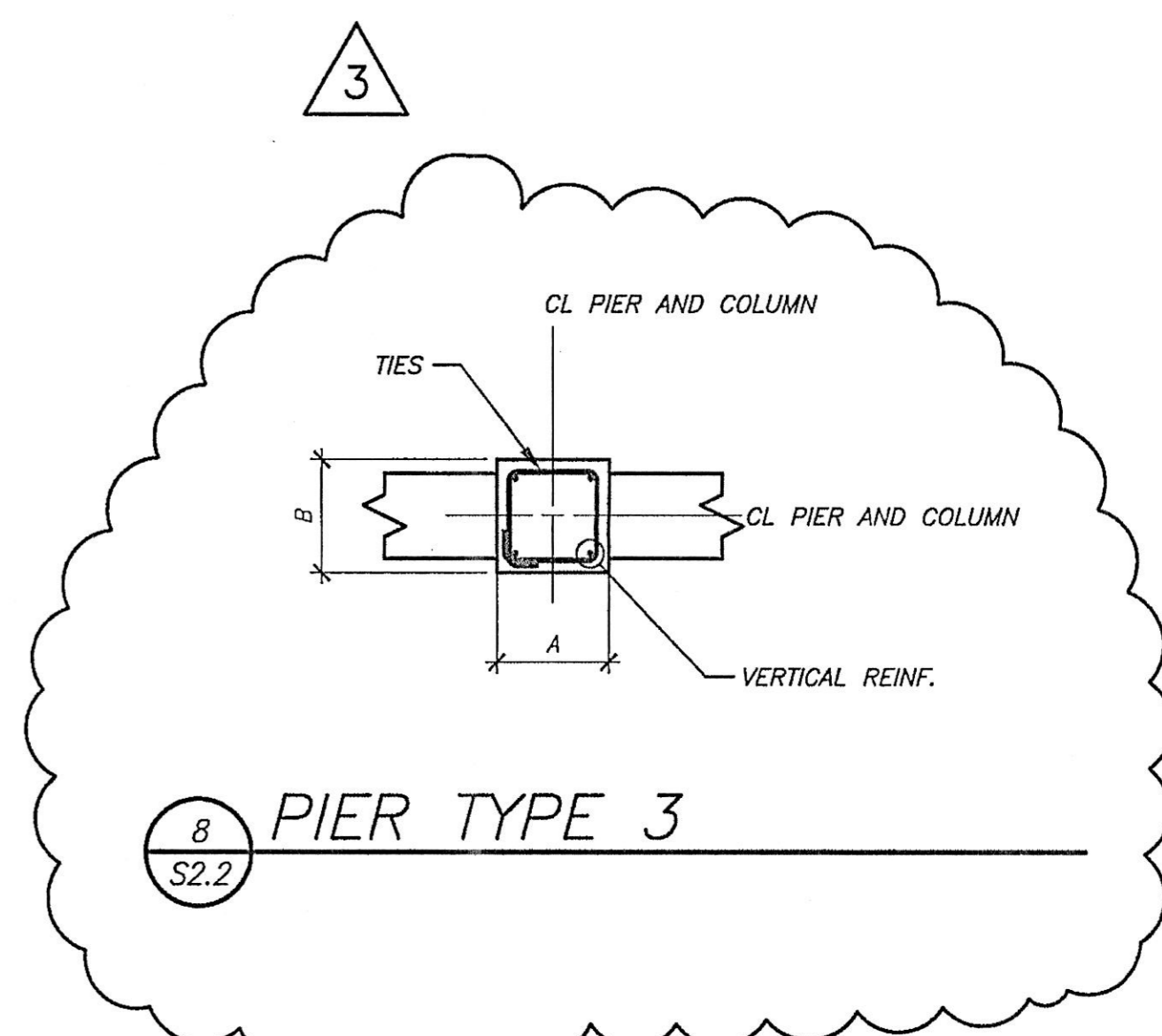
5 BEAM POCKET DETAIL
S2.2



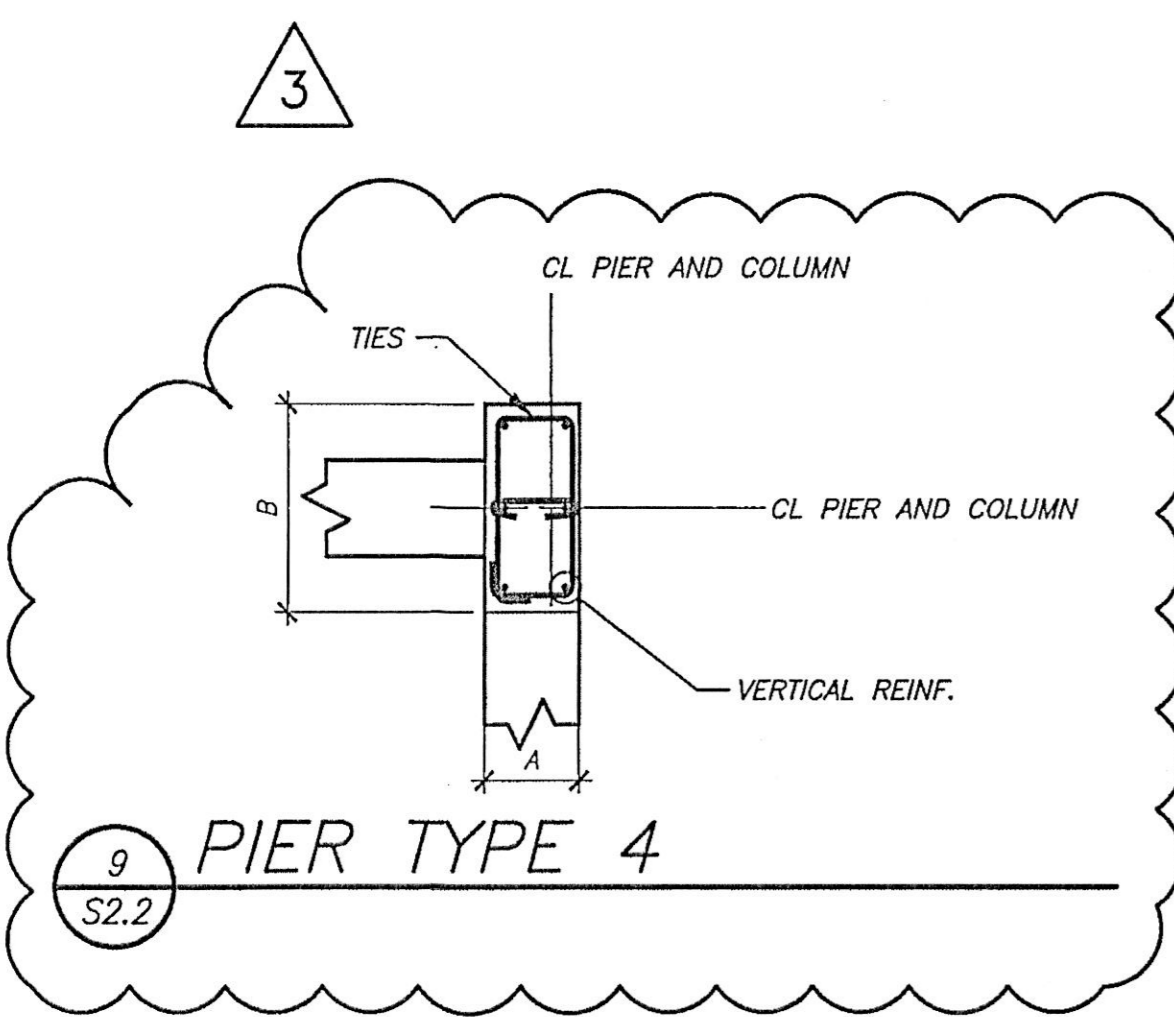
6 TYPICAL FOUNDATION WALL SECTION
S2.2



7 TYPICAL PIER DETAIL AT BASEMENT WALL
S2.2



8 PIER TYPE 3
S2.2



9 PIER TYPE 4
S2.2

REVISIONS:
09/07/2007: Issued for Permit
10/25/2007: City Comments
12/07/2007: City Comments
07/01/2008: City Comments

AL & JOES DELI
Congress Station, Crystal Lake, Illinois
FOUNDATION DETAILS

PARNERS IN DESIGN
ARCHITECTS
770 Lake Cook Road, Suite 140
Deerfield, Illinois 60015
Ph: (847) 940-0070
Fax: (847) 940-0045

PROJECT NO.: 479.06.025
DRAWN BY: SG CHECKED BY: PGV
DATE: 08.27.07
SHEET NO.:

S2.2